

4

3

2

1

F

F

E

E

D

D

C

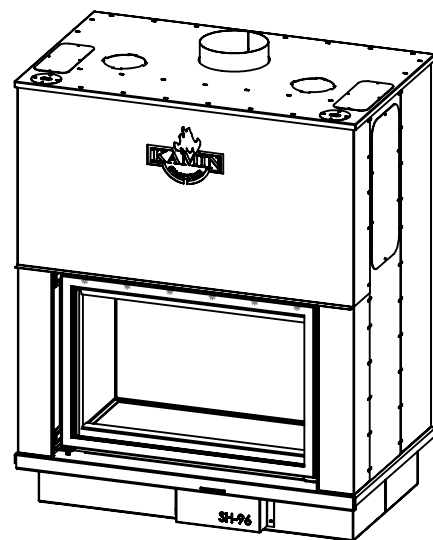
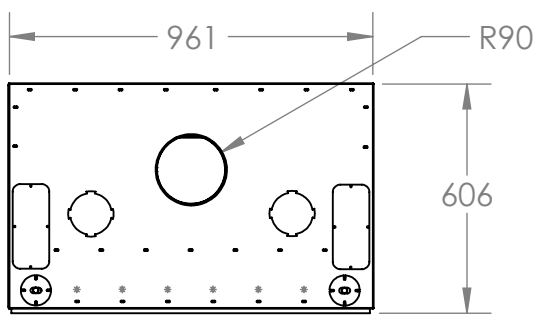
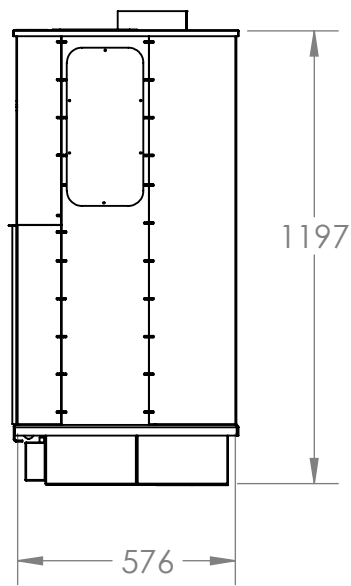
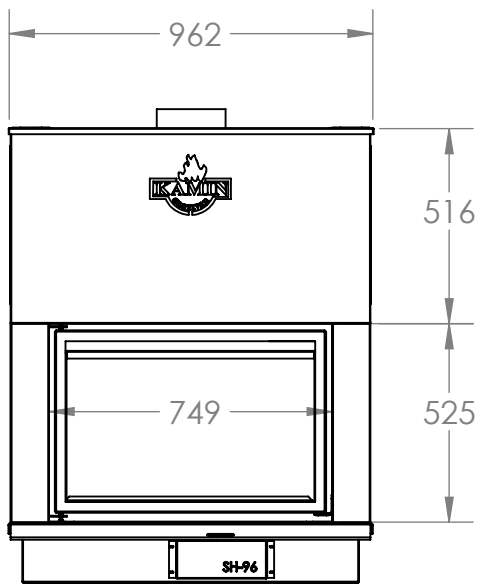
C

B

B

A

A



UNLESS OTHERWISE SPECIFIED: DIMENSIONS ARE IN MILLIMETERS SURFACE FINISH: TOLERANCES: LINEAR: ANGULAR:			FINISH:		DEBURR AND BREAK SHARP EDGES		DO NOT SCALE DRAWING		REVISION	
DRAWN			SIGNATURE		DATE		TITLE:			
CHK'D										
APPV'D										
MFG										
Q.A							MATERIAL:		DWG NO.	
							WEIGHT:		SCALE:1:20	
									SHEET 1 OF 1	

Sharr (Media) 100 - 3D Complete A4

4

3

2

1