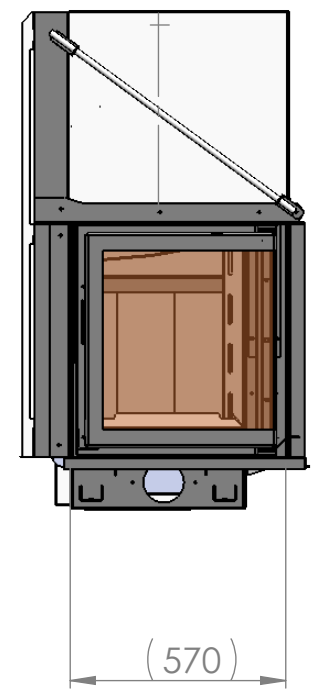
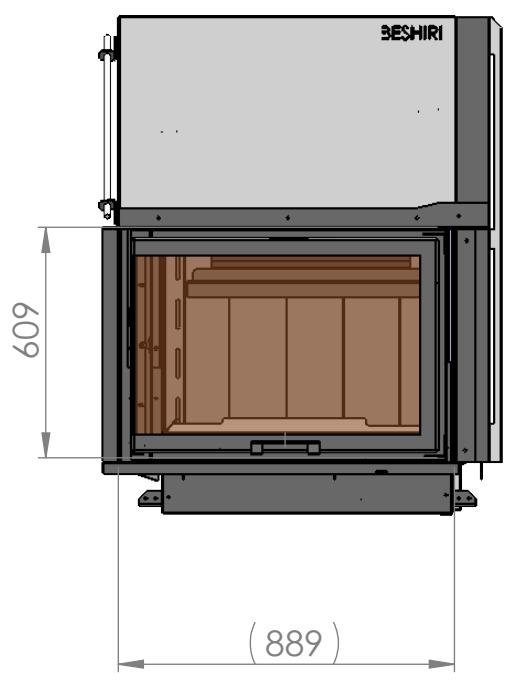


4 3 2 1

F

F



E

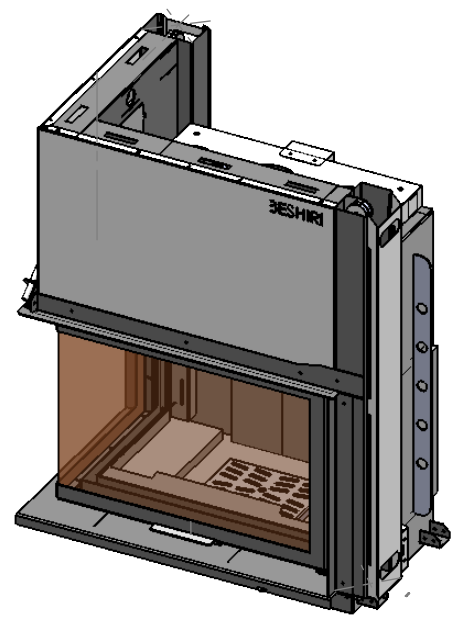
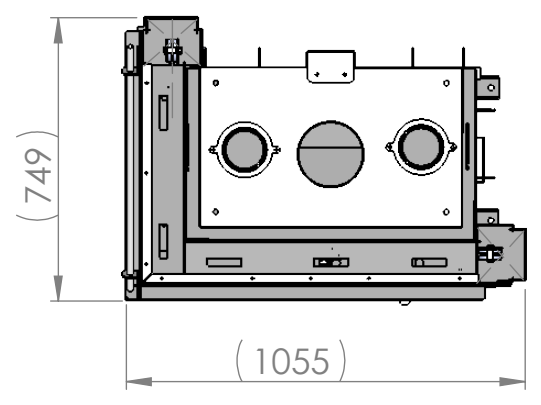
E

D

D

C

C



B

B

UNLESS OTHERWISE SPECIFIED: DIMENSIONS ARE IN MILLIMETERS SURFACE FINISH: TOLERANCES: LINEAR: ANGULAR:	FINISH:	DEBURR AND BREAK SHARP EDGES	DO NOT SCALE DRAWING	REVISION

	NAME	SIGNATURE	DATE	
DRAWN				
CHK'D				
APPV'D				
MFG				
Q.A				

TITLE:

DWG NO. **amato ass**

SCALE: 1:20

SHEET 1 OF 1

A4

A

A

4 3 2 1